

---

# INSTALLATION INSTRUCTIONS

---

---

## Heavy Duty Casters Accessory

---

### DISCLAIMER

CSAV, Inc., and its affiliated corporations and subsidiaries (collectively, "CSAV"), intend to make this manual accurate and complete. However, CSAV makes no claim that the information contained herein covers all details, conditions or variations, nor does it provide for every possible contingency in connection with the installation or use of this product. The information contained in this document is subject to change without notice or obligation of any kind. CSAV makes no representation of warranty, expressed or implied, regarding the information contained herein. CSAV assumes no responsibility for accuracy, completeness or sufficiency of the information contained in this document.

### IMPORTANT WARNINGS AND CAUTIONS!

**WARNING:** A WARNING alerts you to the possibility of serious injury or death if you do not follow the instructions.

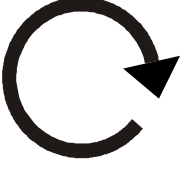
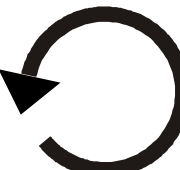
**CAUTION:** A CAUTION alerts you to the possibility of damage or destruction of equipment if you do not follow the corresponding instructions.

**WARNING:** Failure to read, thoroughly understand, and follow all instructions can result in serious personal injury, damage to equipment, or voiding of factory warranty! It is the installer's responsibility to make sure all components are properly assembled and installed using the instructions provided.

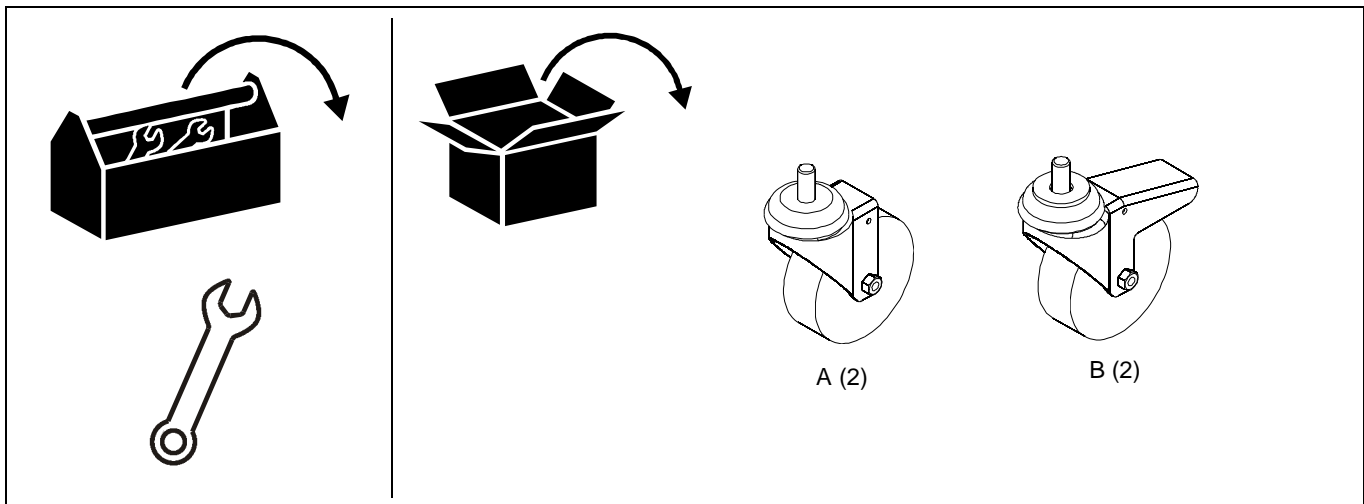
**WARNING:** Failure to provide adequate structural strength for this component can result in serious personal injury or damage to equipment! It is the installer's responsibility to make sure the structure to which this component is attached can support five times the combined weight of all equipment. Reinforce the structure as required before installing the component.

**WARNING:** Exceeding weight capacity can result in serious personal injury or damage to equipment! It is the installer's responsibility to make sure the combined weight of all components does not exceed the maximum allowable weight of the mount to which this accessory is being installed.

### LEGEND

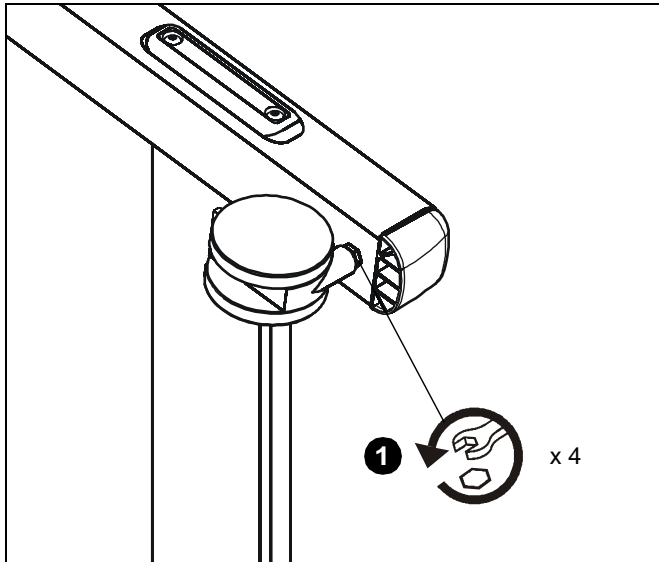
	<b>Tighten Fastener</b>		<b>Loosen Fastener</b>
	Apretar elemento de fijación		Aflojar elemento de fijación
	Befestigungsteil festziehen		Befestigungsteil lösen
	Apertar fixador		Desapertar fixador
	Serrare il fissaggio		Allentare il fissaggio
	Bevestiging vastdraaien		Bevestiging losdraaien
	Serrez les fixations		Desserrez les fixations

### TOOLS AND PARTS REQUIRED FOR INSTALLATION



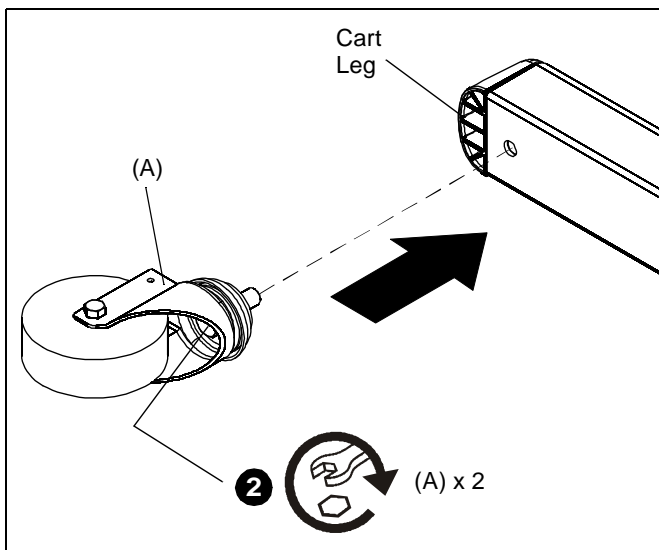
**ASSEMBLY**

1. Using a wrench, loosen the bolts and remove the four casters currently installed on the cart. (See Figure 1)



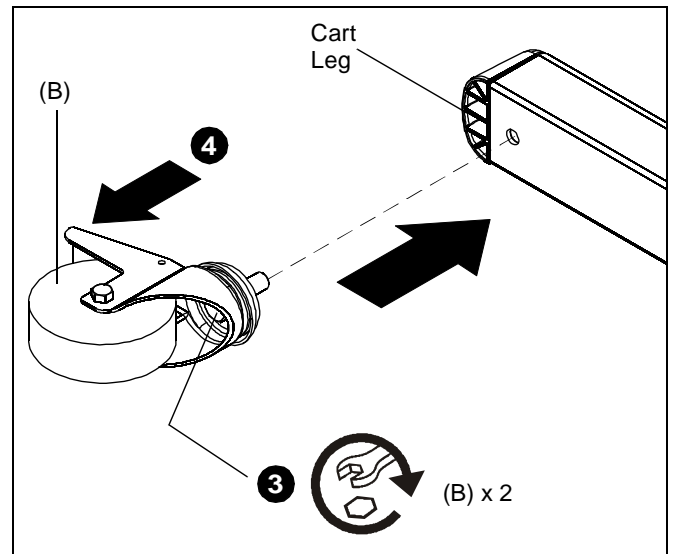
**Figure 1**

2. Place casters (A) on front of cart and tighten bolts. (See Figure 2)



**Figure 2**

3. Place locking casters (B) on rear of cart and tighten bolts. (See Figure 3)



**Figure 3**

4. Lock rear casters (B) by stepping on top edge at **BRAKE ON** imprint. (See Figure 3)
5. Unlock rear casters (B) by stepping on the **OFF** button on top edge of caster.



8809-000043

©2007 Chief Manufacturing  
www.chiefmfg.com  
09/07

<b>USA/International</b>	<b>A</b> 8401 Eagle Creek Parkway, Savage, MN 55378 <b>P</b> 800.582.6480 / 952.894.6280 <b>F</b> 877.894.6918 / 952.894.6918
<b>Europe</b>	<b>A</b> Fellenoord 130 5611 ZB EINDHOVEN, The Netherlands <b>P</b> 31 (0)20 5708923 <b>F</b> 31 (0)20 5708989
<b>Asia Pacific</b>	<b>A</b> Room 30I, Block D, Lily YinDu International Building LuoGang, BuJi Town, Shenzhen, CHINA. Post Code: 518112 深圳市布吉罗岗百合银都国际大厦D栋30I <b>P</b> +86-755-8996 9226 ; 8996 9236 ; 8996 9220 <b>F</b> +86-755-8996 9217